



SGM48751X

8:1 CMOS Analog Signal Multiplexer

GENERAL DESCRIPTION

The SGM48751X is an 8-channel CMOS analog signal multiplexer. It operates from 2.5V to 5.5V single power supply and all digital inputs support 1.8V logic control.

Other features include low voltage, low on-resistance and low off-leakage current. The high performances make it very suitable for multiple applications, such as cellular phones, audio and video signal routing, etc.

The SGM48751X is available in Green SOIC-16, SSOP-16, TSSOP-16 and TQFN-3×3-16L packages. It operates over an ambient temperature range of -40°C to +125°C.

FEATURES

- **Single Supply Voltage Range: 2.5V to 5.5V**
- **On-Resistance: 52Ω (TYP) with 5V Supply**
- **1.8V Logic Compatible**
- **Low On-Resistance Flatness**
- **High Off-Isolation: -70dB ($R_L = 50\Omega$, $f = 1\text{MHz}$)**
- **Low Off-Leakage Current: $\pm 1\mu\text{A}$ (MAX)**
- **Low On-Leakage Current: $\pm 1\mu\text{A}$ (MAX)**
- **Low Distortion: 0.65% ($R_L = 600\Omega$, $f = 20\text{Hz to } 20\text{kHz}$)**
- **-40°C to +125°C Operating Temperature Range**
- **Available in Green SOIC-16, SSOP-16, TSSOP-16 and TQFN-3×3-16L Packages**

APPLICATIONS

Automotive
Portable Equipment
Sample-and-Hold Circuits
Data-Acquisition Systems
Battery-Powered Systems
Audio and Video Signal Routing

PACKAGE/ORDERING INFORMATION

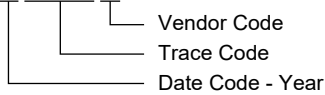
MODEL	PACKAGE DESCRIPTION	SPECIFIED TEMPERATURE RANGE	ORDERING NUMBER	PACKAGE MARKING	PACKING OPTION
SGM48751X	SOIC-16	-40°C to +125°C	SGM48751XS16G/TR	SGM48751XS16 XXXXX	Tape and Reel, 2500
	SSOP-16	-40°C to +125°C	SGM48751XQS16G/TR	SGM48751 XQS16 XXXXX	Tape and Reel, 4000
	TSSOP-16	-40°C to +125°C	SGM48751XTS16G/TR	SGM48751 XTS16 XXXXX	Tape and Reel, 4000
	TQFN-3x3-16L	-40°C to +125°C	SGM48751XTQ16G/TR	48751TQ XXXXX	Tape and Reel, 4000

MARKING INFORMATION

NOTE: XXXXX = Date Code, Trace Code and Vendor Code.

SOIC-16/SSOP-16/TSSOP-16/TQFN-3x3-16L

XXXXX



Green (RoHS & HSF): SG Micro Corp defines "Green" to mean Pb-Free (RoHS compatible) and free of halogen substances. If you have additional comments or questions, please contact your SGMICRO representative directly.

ABSOLUTE MAXIMUM RATINGS

V _{CC} to GND	-0.3V to 6V
Voltage into Any Terminal ⁽¹⁾	-0.3V to (V _{CC} + 0.3V)
Continuous Current into Any Terminal	±20mA
Peak Current, X ₋ (Pulsed at 1ms, 10% duty cycle)	±40mA
Junction Temperature	+150°C
Storage Temperature Range	-65°C to +150°C
Lead Temperature (Soldering, 10s)	+260°C
ESD Susceptibility	
HBM	4000V
CDM	1000V

NOTE:

1. Internal diodes will clamp the voltage on any signal that is lower than GND. Limit the current through the forward diode to the maximum ratings.

RECOMMENDED OPERATING CONDITIONS

Supply Voltage Range	2.5V to 5.5V
Operating Temperature Range	-40°C to +125°C

OVERSTRESS CAUTION

Stresses beyond those listed in Absolute Maximum Ratings may cause permanent damage to the device. Exposure to absolute maximum rating conditions for extended periods may affect reliability. Functional operation of the device at any conditions beyond those indicated in the Recommended Operating Conditions section is not implied.

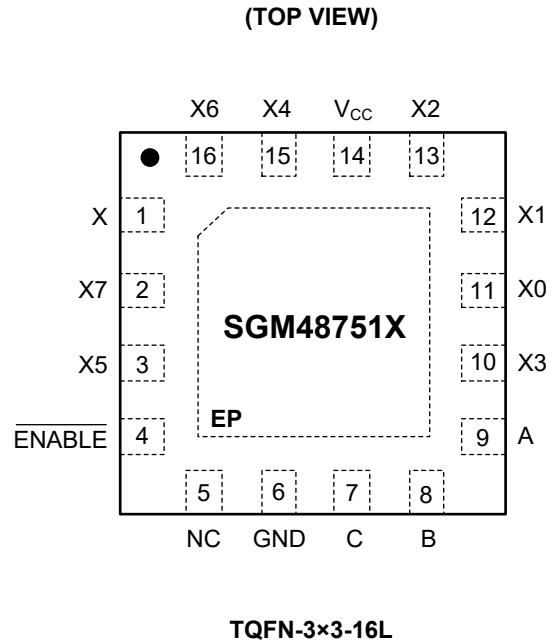
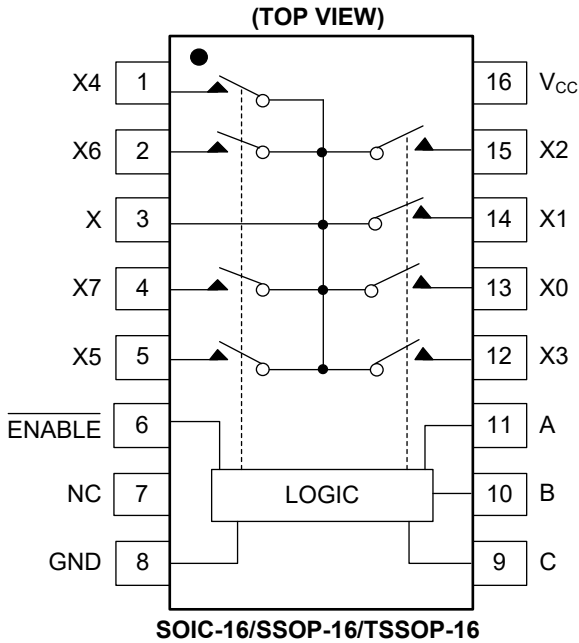
ESD SENSITIVITY CAUTION

This integrated circuit can be damaged if ESD protections are not considered carefully. SGMICRO recommends that all integrated circuits be handled with appropriate precautions. Failure to observe proper handling and installation procedures can cause damage. ESD damage can range from subtle performance degradation to complete device failure. Precision integrated circuits may be more susceptible to damage because even small parametric changes could cause the device not to meet the published specifications.

DISCLAIMER

SG Micro Corp reserves the right to make any change in circuit design, or specifications without prior notice.

PIN CONFIGURATIONS



PIN DESCRIPTION

PIN		NAME	FUNCTION
SOIC-16/SSOP-16/TSSOP-16	TQFN-3x3-16L		
13, 14, 15, 12, 1, 5, 2, 4	11, 12, 13, 10, 15, 3, 16, 2	X0-X7	Analog Switch Inputs X0-X7.
3	1	X	Analog Switch "X" Output Pin.
6	4	ENABLE	Digital Enable Control Pin. Normally connected to GND.
7	5	NC	No Connection.
8	6	GND	Ground. Connect to digital ground.
9	7	C	Digital Signal Input C Pin.
10	8	B	Digital Signal Input B Pin.
11	9	A	Digital Signal Input A Pin.
16	14	V _{CC}	Positive Analog and Digital Supply Voltage Input Pin.
—	Exposed Pad	EP	Exposed Pad. Connect exposed pad to GND.

NOTE:

Any input pin can be used as an output pin, and any output pin can also be used as an input pin. Signal transmission in both directions is equally well.

FUNCTION TABLE

ENABLE INPUT	SELECT INPUTS			ON SWITCHES
	C	B	A	
H	X	X	X	All Switches Open
L	L	L	L	X-X0
L	L	L	H	X-X1
L	L	H	L	X-X2
L	L	H	H	X-X3
L	H	L	L	X-X4
L	H	L	H	X-X5
L	H	H	L	X-X6
L	H	H	H	X-X7

NOTE: X = Don't care.

ELECTRICAL CHARACTERISTICS

(V_{CC} = 5.0V, Full = -40°C to +125°C, typical values are at T_A = +25°C, unless otherwise noted.)

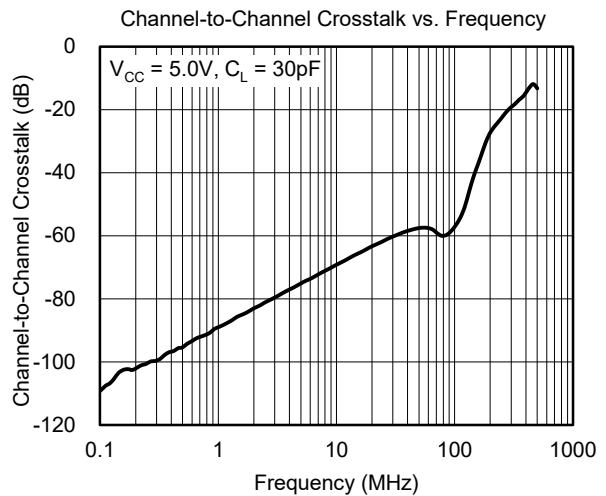
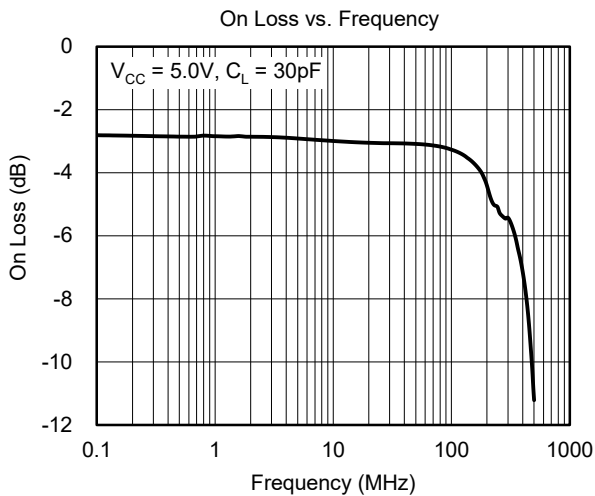
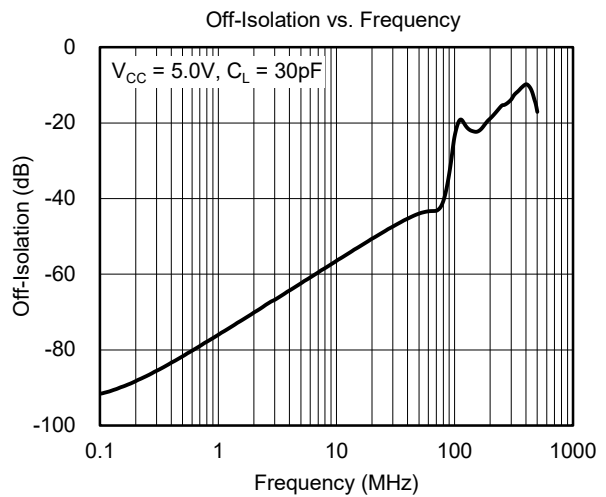
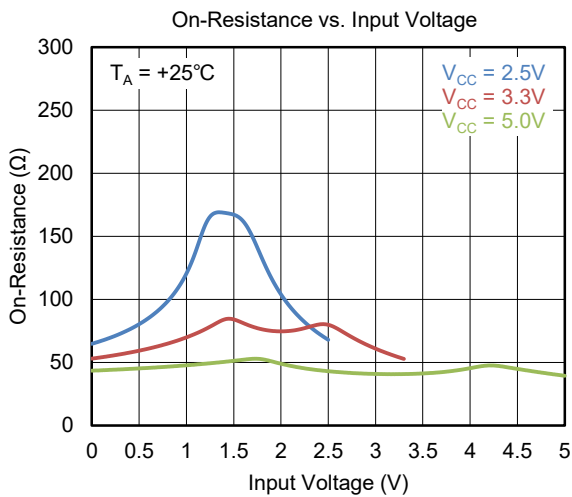
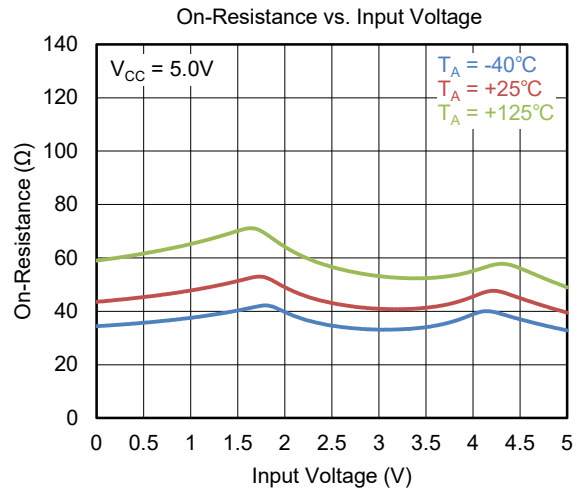
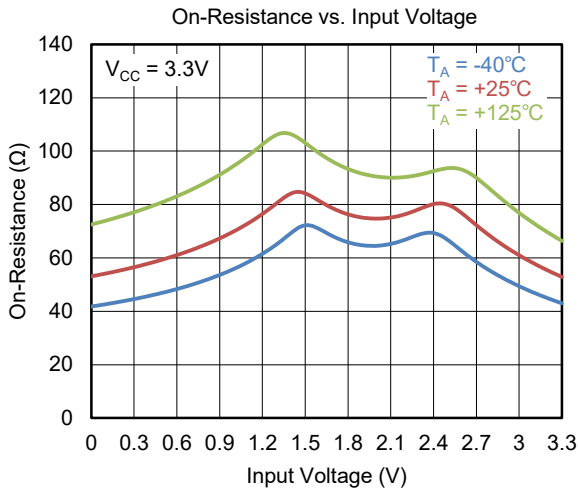
PARAMETER	SYMBOL	CONDITIONS	TEMP	MIN	TYP	MAX	UNITS
Analog Switch							
Analog Signal Range	V _{X-} , V _X		Full	GND		V _{CC}	V
On-Resistance	R _{ON}	V _{CC} = 5.0V, V _I = 0V to V _{CC} , I _X = 1mA	+25°C		52	65	Ω
			Full			85	
On-Resistance Match between Channels	ΔR _{ON}	V _{CC} = 5.0V, V _I = 0V to V _{CC} , I _X = 1mA	+25°C		1.2	5	Ω
			Full			6	
On-Resistance Flatness	R _{FLAT(ON)}	V _{CC} = 5.0V, V _I = 0V to V _{CC} , I _X = 1mA	+25°C		14	25	Ω
			Full			35	
X ₋ Off Leakage Current	I _{X(OFF)}	V _{CC} = 5.0V, V _{X-} = 5.0V or 0V, V _X = 5.0V or 0V	Full		±0.02	±1	μA
X Off Leakage Current	I _{X(OFF)}	V _{CC} = 5.0V, V _{X-} = 5.0V or 0V, V _X = 5.0V or 0V	Full		±0.02	±1	μA
On Leakage Current	I _{ON}	V _{CC} = 5.0V, V _X = 5.0V or 0V	Full		±0.02	±1	μA
Digital I/O							
Logic Input Logic Threshold High	V _{AH} , V _{BH} , V _{CH} , V _{ENABLEH}		Full	1.8			V
Logic Input Logic Threshold Low	V _{AL} , V _{BL} , V _{CL} , V _{ENABLEL}		Full			0.5	V
Input-Current High	I _{AH} , I _{BH} , I _{CH} , I _{ENABLEH}	V _A , V _B , V _C , V _{ENABLE} = V _{CC}	Full		±0.02	±1	μA
Input-Current Low	I _{AL} , I _{BL} , I _{CL} , I _{ENABLEL}	V _A , V _B , V _C , V _{ENABLE} = 0V	Full		±0.02	±1	μA
Dynamic Characteristics							
Address Transition Time	t _{TRANS}	V _{X-} = 3V/0V, R _L = 300Ω, C _L = 35pF, Test Circuit 1	+25°C		90		ns
ENABLE Turn-On Time	t _{ON}	V _{X-} = 3V, R _L = 300Ω, C _L = 35pF, Test Circuit 2	+25°C		55		ns
ENABLE Turn-Off Time	t _{OFF}	V _{X-} = 3V, R _L = 300Ω, C _L = 35pF, Test Circuit 2	+25°C		70		ns
Break-Before-Make Delay Time	t _D	V _{X-} = 3V, R _L = 300Ω, C _L = 35pF, Test Circuit 3	+25°C		60		ns
Charge Injection	Q	R _S = 0Ω, C _L = 1nF, Test Circuit 4	+25°C		1		pC
Off-Isolation	O _{ISO}	R _L = 50Ω, C _L = 30pF, f = 1MHz, Test Circuit 5	+25°C		-70		dB
-3dB Bandwidth	BW	R _L = 50Ω, C _L = 30pF, Test Circuit 6	+25°C		180		MHz
Channel-to-Channel Crosstalk	X _{TALK}	R _L = 50Ω, C _L = 30pF, f = 1MHz, Test Circuit 7	+25°C		-85		dB
Input Off-Capacitance	C _{X(OFF)}	V _{X-} = 0V, f = 1MHz, Test Circuit 8	+25°C		15		pF
Output Off-Capacitance	C _{X(OFF)}	V _X = 0V, f = 1MHz, Test Circuit 8	+25°C		25		pF
On-Capacitance	C _{ON}	V _I = 0V, f = 1MHz, Test Circuit 8	+25°C		25		pF
Total Harmonic Distortion	THD	R _L = 600Ω, 5V _{P-P} , f = 20Hz to 20kHz	+25°C		0.65		%
Power Supply							
Power Supply Range	V _{CC}		Full	2.5		5.5	V
Power Supply Current	I _{CC}	V _A , V _B , V _C , V _{ENABLE} = V _{CC} or 0V	Full		±0.02	±1	μA

ELECTRICAL CHARACTERISTICS (continued)(V_{CC} = 3.3V, Full = -40°C to +125°C, typical values are at T_A = +25°C, unless otherwise noted.)

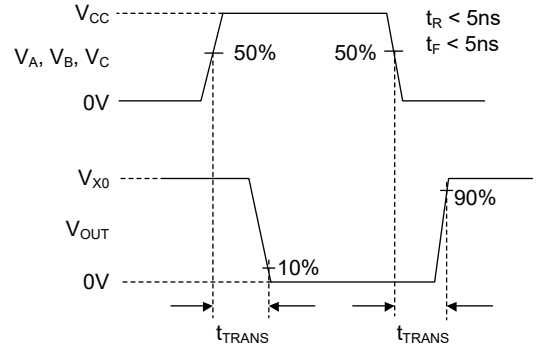
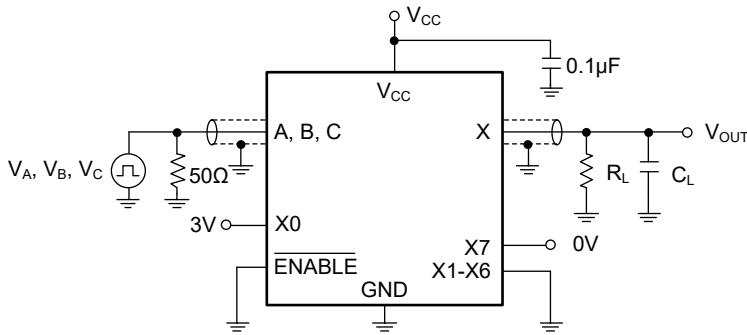
PARAMETER	SYMBOL	CONDITIONS	TEMP	MIN	TYP	MAX	UNITS
Analog Switch							
Analog Signal Range	V _{X-} , V _X		Full	GND		V _{CC}	V
On-Resistance	R _{ON}	V _{CC} = 3.3V, V _I = 0V to V _{CC} , I _X = 1mA	+25°C		84	100	Ω
			Full			125	
On-Resistance Match between Channels	ΔR _{ON}	V _{CC} = 3.3V, V _I = 0V to V _{CC} , I _X = 1mA	+25°C		1.4	6	Ω
			Full			7	
On-Resistance Flatness	R _{FLAT(ON)}	V _{CC} = 3.3V, V _I = 0V to V _{CC} , I _X = 1mA	+25°C		32	45	Ω
			Full			55	
X ₋ Off Leakage Current	I _{X(OFF)}	V _{X-} = 0V, 3.3V, V _X = 3.3V, 0V	Full		±0.02	±1	μA
X Off Leakage Current	I _{X(OFF)}	V _{X-} = 0V, 3.3V, V _X = 3.3V, 0V	Full		±0.02	±1	μA
On Leakage Current	I _{ON}	V _X = 3.3V, 0V	Full		±0.02	±1	μA
Digital I/O							
Logic Input Logic Threshold High	V _{AH} , V _{BH} , V _{CH} , V _{ENABLEH}		Full	1.7			V
Logic Input Logic Threshold Low	V _{AL} , V _{BL} , V _{CL} , V _{ENABLEL}		Full			0.4	V
Input-Current High	I _{AH} , I _{BH} , I _{CH} , I _{ENABLEH}	V _A , V _B , V _C , V _{ENABLE} = V _{CC}	Full		±0.02	±1	μA
Input-Current Low	I _{AL} , I _{BL} , I _{CL} , I _{ENABLEL}	V _A , V _B , V _C , V _{ENABLE} = 0V	Full		±0.02	±1	μA
Dynamic Characteristics							
Address Transition Time	t _{TRANS}	V _{X-} = 3V/0V, R _L = 300Ω, C _L = 35pF, Test Circuit 1	+25°C		135		ns
ENABLE Turn-On Time	t _{ON}	V _{X-} = 3V, R _L = 300Ω, C _L = 35pF, Test Circuit 2	+25°C		90		ns
ENABLE Turn-Off Time	t _{OFF}	V _{X-} = 3V, R _L = 300Ω, C _L = 35pF, Test Circuit 2	+25°C		100		ns
Break-Before-Make Delay Time	t _D	V _{X-} = 3V, R _L = 300Ω, C _L = 35pF, Test Circuit 3	+25°C		85		ns
Charge Injection	Q	R _S = 0Ω, C = 1nF, V _S = 2.5V, Test Circuit 4	+25°C		1		pC
-3dB Bandwidth	BW	R _L = 50Ω, C _L = 30pF, Test Circuit 6	+25°C		180		MHz
Power Supply							
Power Supply Current	I _{CC}	V _A , V _B , V _C , V _{ENABLE} = V _{CC} or 0V	Full		±0.02	±1	μA

TYPICAL PERFORMANCE CHARACTERISTICS

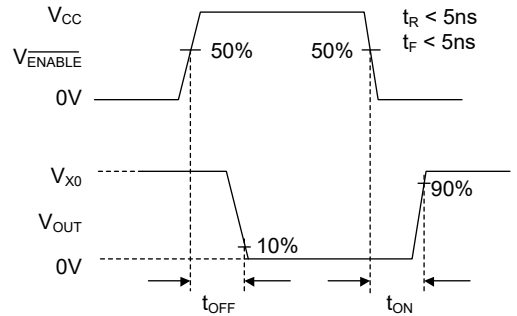
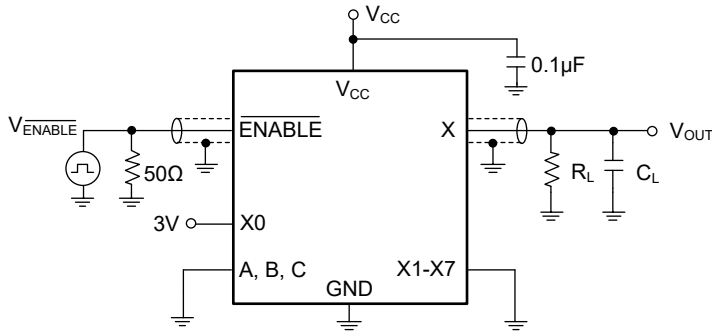
T_A = +25°C, unless otherwise noted.



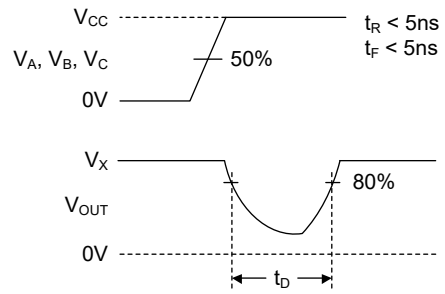
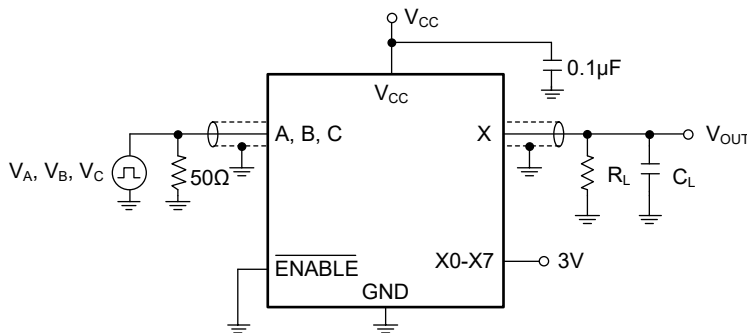
TEST CIRCUITS



Test Circuit 1. Address Transition Times (t_{TRANS})

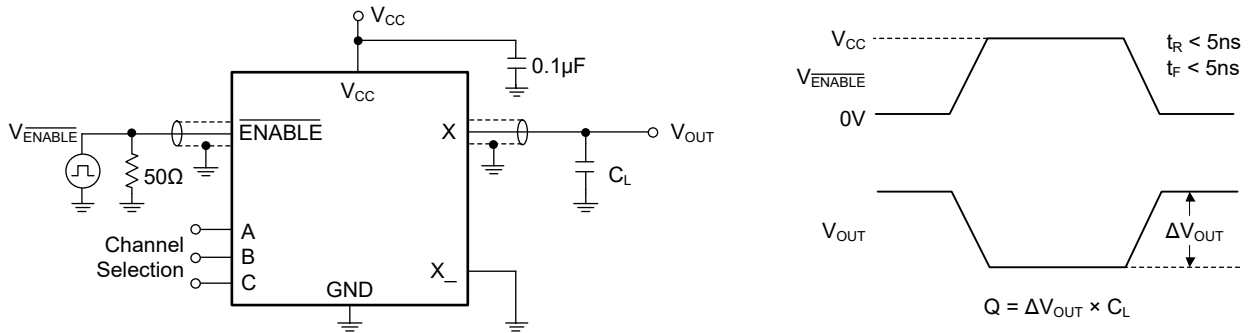


Test Circuit 2. Switching Times (t_{ON} , t_{OFF})

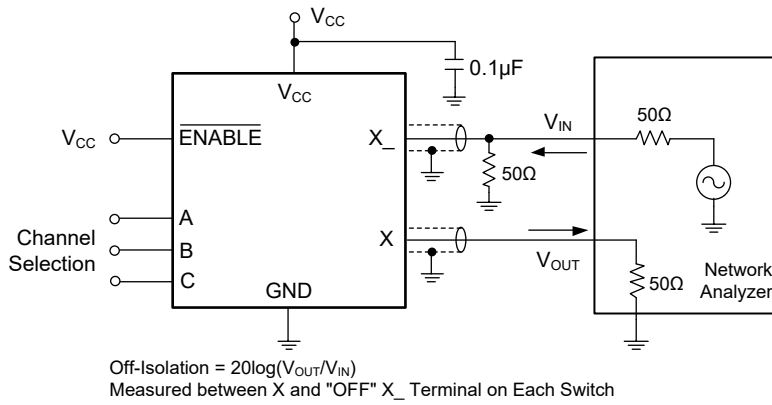


Test Circuit 3. Break-Before-Make Delay Time (t_D)

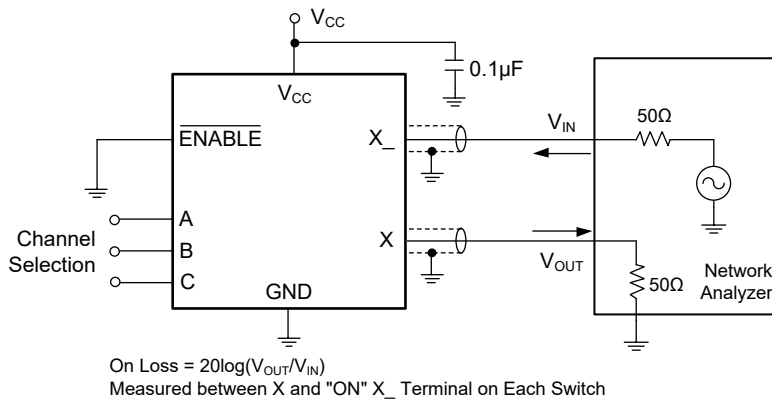
TEST CIRCUITS (continued)



Test Circuit 4. Charge Injection (Q)

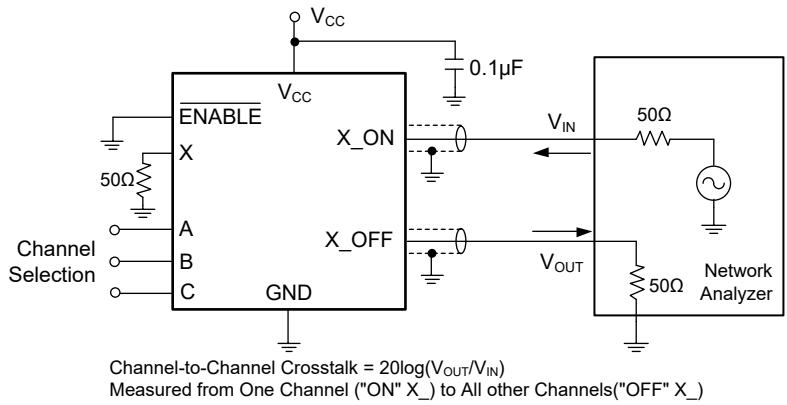


Test Circuit 5. Off-Isolation

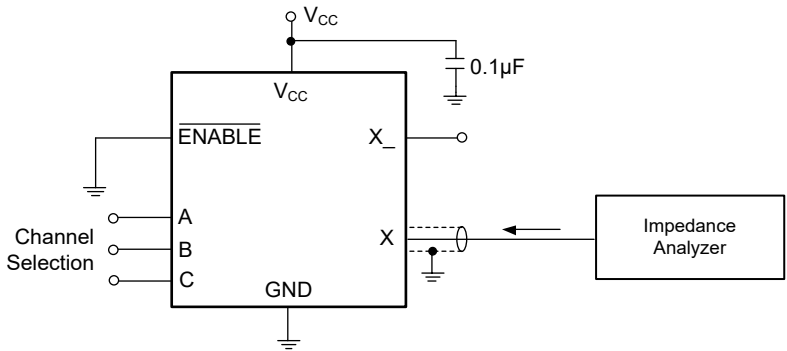


Test Circuit 6. On Loss

TEST CIRCUITS (continued)



Test Circuit 7. Channel-to-Channel Crosstalk



Test Circuit 8. Capacitance

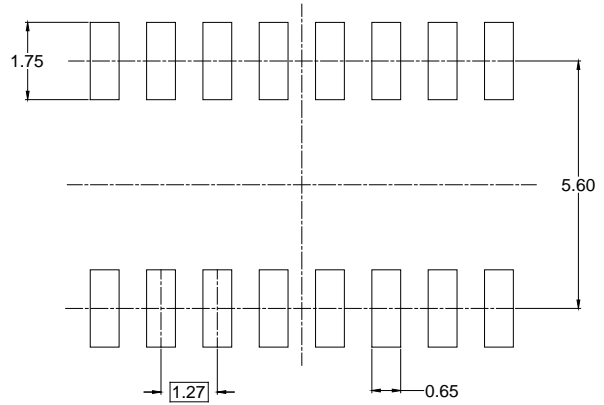
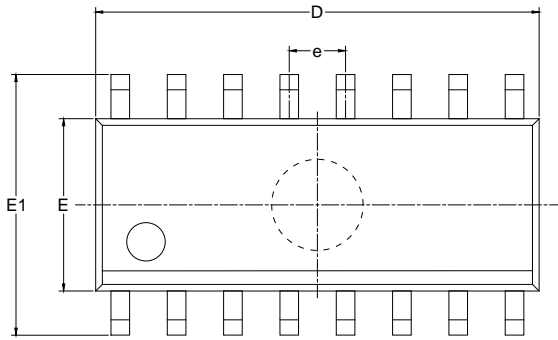
REVISION HISTORY

NOTE: Page numbers for previous revisions may differ from page numbers in the current version.

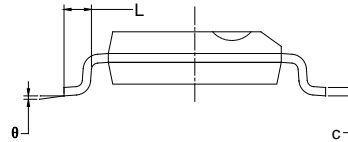
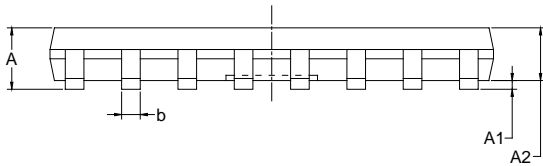
Changes from Original (JUNE 2023) to REV.A	Page
Changed from product preview to production data.....	All

PACKAGE OUTLINE DIMENSIONS

SOIC-16



RECOMMENDED LAND PATTERN (Unit: mm)



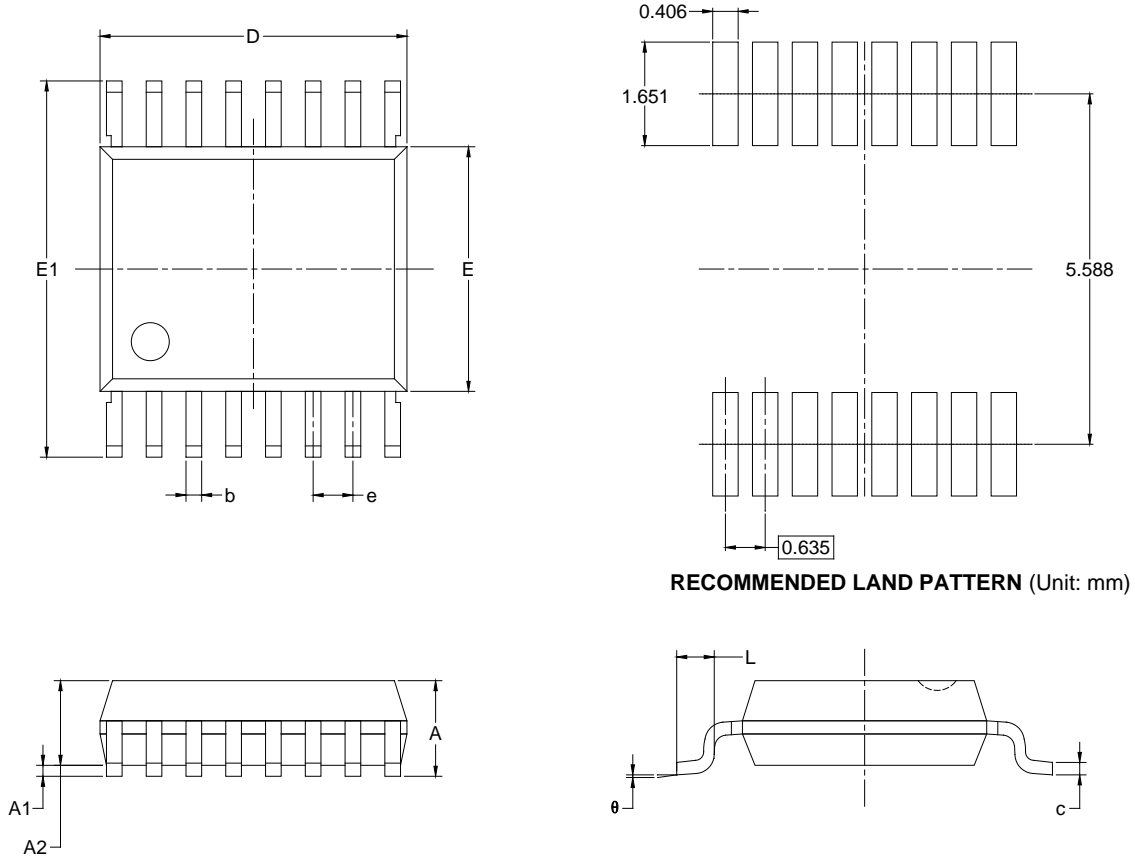
Symbol	Dimensions In Millimeters		Dimensions In Inches	
	MIN	MAX	MIN	MAX
A	1.350	1.750	0.053	0.069
A1	0.100	0.250	0.004	0.010
A2	1.350	1.550	0.053	0.061
b	0.330	0.510	0.013	0.020
c	0.170	0.250	0.006	0.010
D	9.800	10.200	0.386	0.402
E	3.800	4.000	0.150	0.157
E1	5.800	6.200	0.228	0.244
e	1.27 BSC		0.050 BSC	
L	0.400	1.270	0.016	0.050
θ	0°	8°	0°	8°

NOTES:

1. Body dimensions do not include mode flash or protrusion.
2. This drawing is subject to change without notice.

PACKAGE OUTLINE DIMENSIONS

SSOP-16



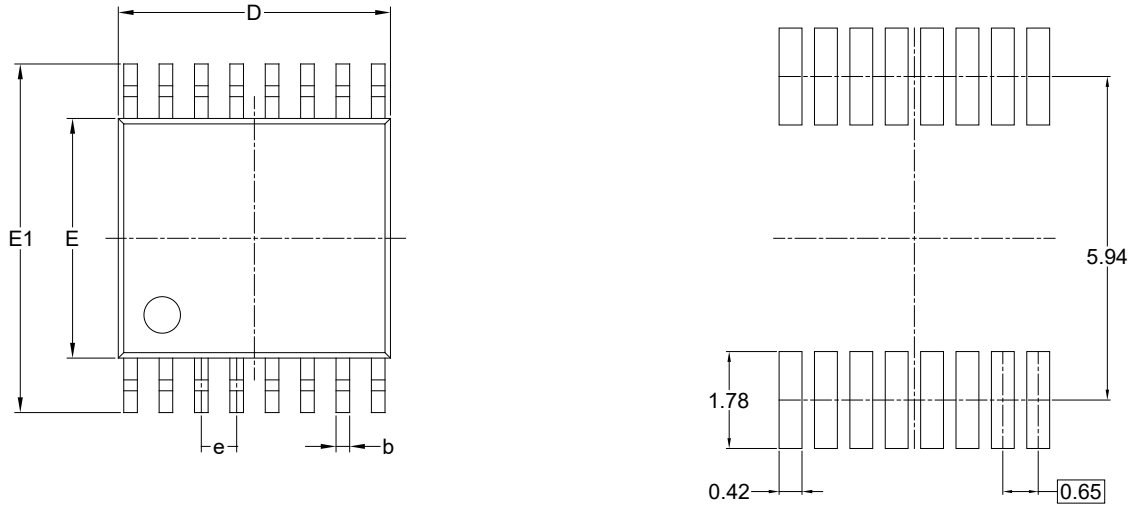
RECOMMENDED LAND PATTERN (Unit: mm)

Symbol	Dimensions In Millimeters		Dimensions In Inches	
	MIN	MAX	MIN	MAX
A	1.350	1.750	0.053	0.069
A1	0.100	0.250	0.004	0.010
A2	1.350	1.550	0.053	0.061
b	0.200	0.300	0.008	0.012
c	0.170	0.250	0.007	0.010
D	4.700	5.100	0.185	0.200
E	3.800	4.000	0.150	0.157
E1	5.800	6.200	0.228	0.244
e	0.635 BSC		0.025 BSC	
L	0.400	1.270	0.016	0.050
θ	0°	8°	0°	8°

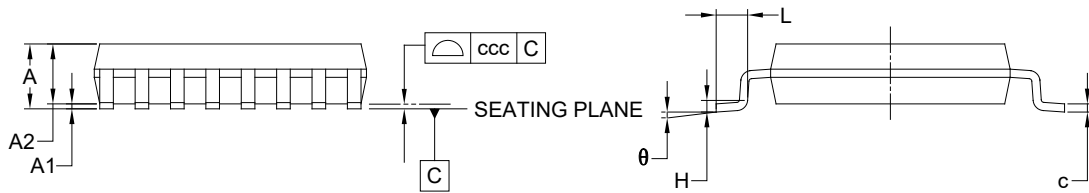
NOTES:
 1. Body dimensions do not include mode flash or protrusion.
 2. This drawing is subject to change without notice.

PACKAGE OUTLINE DIMENSIONS

TSSOP-16



RECOMMENDED LAND PATTERN (Unit: mm)



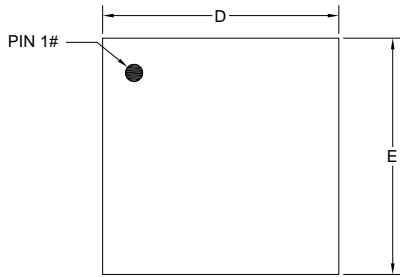
Symbol	Dimensions In Millimeters		
	MIN	MOD	MAX
A	-	-	1.200
A1	0.050	-	0.150
A2	0.800	-	1.050
b	0.190	-	0.300
c	0.090	-	0.200
D	4.860	-	5.100
E	4.300	-	4.500
E1	6.200	-	6.600
e	0.650 BSC		
L	0.450	-	0.750
H	0.250 TYP		
θ	0°	-	8°
ccc	0.100		

NOTES:

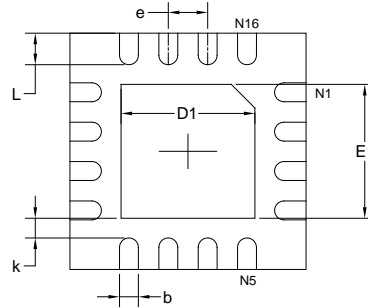
1. This drawing is subject to change without notice.
2. The dimensions do not include mold flashes, protrusions or gate burrs.
3. Reference JEDEC MO-153.

PACKAGE OUTLINE DIMENSIONS

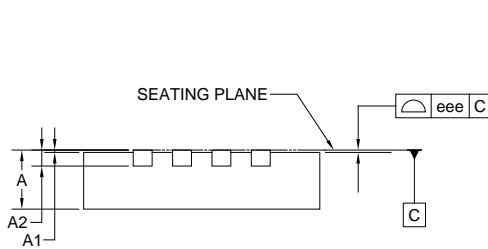
TQFN-3x3-16L



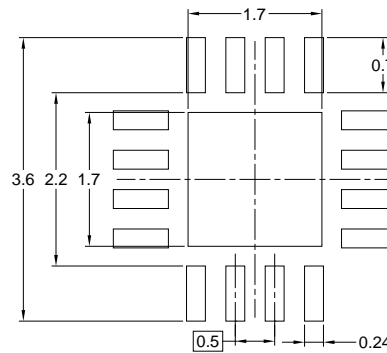
TOP VIEW



BOTTOM VIEW



SIDE VIEW



RECOMMENDED LAND PATTERN (Unit: mm)

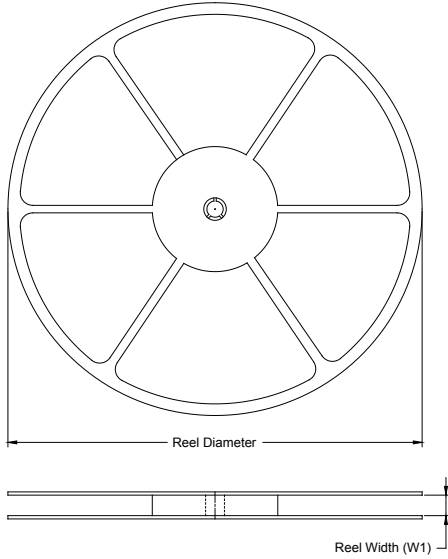
Symbol	Dimensions In Millimeters		Dimensions In Inches	
	MIN	MAX	MIN	MAX
A	0.700	0.800	0.028	0.031
A1	0.000	0.050	0.000	0.002
A2	0.203 REF		0.008 REF	
D	2.900	3.100	0.114	0.122
D1	1.600	1.800	0.063	0.071
E	2.900	3.100	0.114	0.122
E1	1.600	1.800	0.063	0.071
k	0.200 MIN		0.008 MIN	
b	0.180	0.300	0.007	0.012
e	0.500 TYP		0.020 TYP	
L	0.300	0.500	0.012	0.020
eee	0.080		0.003	

NOTE: This drawing is subject to change without notice.

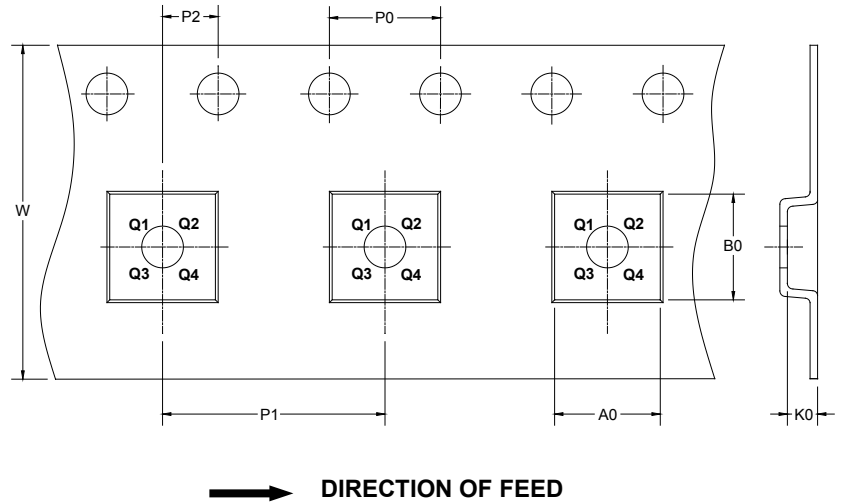
PACKAGE INFORMATION

TAPE AND REEL INFORMATION

REEL DIMENSIONS



TAPE DIMENSIONS



NOTE: The picture is only for reference. Please make the object as the standard.

KEY PARAMETER LIST OF TAPE AND REEL

Package Type	Reel Diameter	Reel Width W1 (mm)	A0 (mm)	B0 (mm)	K0 (mm)	P0 (mm)	P1 (mm)	P2 (mm)	W (mm)	Pin1 Quadrant
SOIC-16	13"	16.4	6.50	10.30	2.10	4.0	8.0	2.0	16.0	Q1
SSOP-16	13"	12.4	6.40	5.40	2.10	4.0	8.0	2.0	12.0	Q1
TSSOP-16	13"	12.4	6.80	5.40	1.50	4.0	8.0	2.0	12.0	Q1
TQFN-3×3-16L	13"	12.4	3.35	3.35	1.13	4.0	8.0	2.0	12.0	Q2

DD0001

PACKAGE INFORMATION

CARTON BOX DIMENSIONS



NOTE: The picture is only for reference. Please make the object as the standard.

KEY PARAMETER LIST OF CARTON BOX

Reel Type	Length (mm)	Width (mm)	Height (mm)	Pizza/Carton
13"	386	280	370	5

DD0002