



SGM4915

Dual 145mW Headphone Amplifier with Active Low Shutdown Mode

GENERAL DESCRIPTION

The SGM4915 is a dual audio power amplifier with active low shutdown mode. It is designed to maximize audio performance in portable applications. The audio power amplifier is designed for the portable application that needs low-component count and can operate from a single 2.5V to 5.5V power supply. Under the condition of using a 5.0V power supply to drive a 16Ω speaker, it can deliver a continuous average power of 145mW per channel, and the distortion (THD) is less than 0.1%.

The SGM4915 provides an active-low, micro-power consumption shutdown mode which is controlled externally and an internal thermal shutdown protection.

The SGM4915 is applied to low power portable systems. Bootstrap capacitors or snubber networks are not needed.

The SGM4915 provides an externally controlled gain (with resistors), as well as an externally controlled turn-on time (with the bypass capacitor) for maximum flexibility.

The SGM4915 is available in a Green TDFN-2×2-8L package. It operates over an ambient temperature range of -40°C to +85°C.

FEATURES

- **Supply Voltage Range: 2.5V to 5.5V**
- **Active Low Shutdown Mode**
- **145mW into 16Ω Load from 5V Power Supply at THD+N = 0.1% (Typical, per Channel)**
- **82mW into 32Ω Load from 5V Power Supply at THD+N = 0.1% (Typical, per Channel)**
- **Unity Gain Stable**
- **Shutdown Current: 0.02μA (TYP)**
- **Shutdown Pin is Compatible with 1.8V Logic**
- **Pop/Click Reduction Circuitry**
- **-40°C to +85°C Operating Temperature Range**
- **Available in a Green TDFN-2×2-8L Package**

APPLICATIONS

Mobile Phone
Portable Systems
Headphone Amplifier
Notebook Computers
Microphone Preamplifier
PDAs
GPS

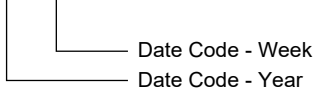
PACKAGE/ORDERING INFORMATION

MODEL	PACKAGE DESCRIPTION	SPECIFIED TEMPERATURE RANGE	ORDERING NUMBER	PACKAGE MARKING	PACKING OPTION
SGM4915	TDFN-2x2-8L	-40°C to +85°C	SGM4915YDE8G/TR	4915 XXXX	Tape and Reel, 3000

MARKING INFORMATION

NOTE: XXXX = Date Code.

XXXX



Green (RoHS & HSF): SG Micro Corp defines "Green" to mean Pb-Free (RoHS compatible) and free of halogen substances. If you have additional comments or questions, please contact your SGMICRO representative directly.

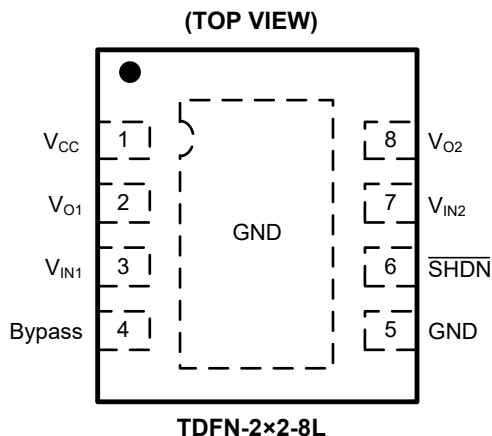
ABSOLUTE MAXIMUM RATINGS

Supply Voltage.....	6V
Input Voltage.....	-0.3V to (V _{CC}) + 0.3V
Junction Temperature.....	+150°C
Storage Temperature Range	-65°C to +150°C
Lead Temperature (Soldering, 10s).....	+260°C
ESD Susceptibility	
HBM.....	2000V
MM.....	200V

RECOMMENDED OPERATING CONDITIONS

Supply Voltage Range	2.5V to 5.5V
Operating Temperature Range	-40°C to +85°C

PIN CONFIGURATION



OVERSTRESS CAUTION

Stresses beyond those listed in Absolute Maximum Ratings may cause permanent damage to the device. Exposure to absolute maximum rating conditions for extended periods may affect reliability. Functional operation of the device at any conditions beyond those indicated in the Recommended Operating Conditions section is not implied.

ESD SENSITIVITY CAUTION

This integrated circuit can be damaged if ESD protections are not considered carefully. SGMICRO recommends that all integrated circuits be handled with appropriate precautions. Failure to observe proper handling and installation procedures can cause damage. ESD damage can range from subtle performance degradation to complete device failure. Precision integrated circuits may be more susceptible to damage because even small parametric changes could cause the device not to meet the published specifications.

DISCLAIMER

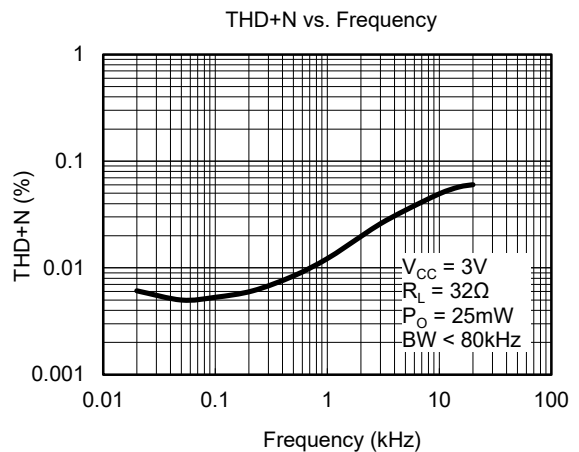
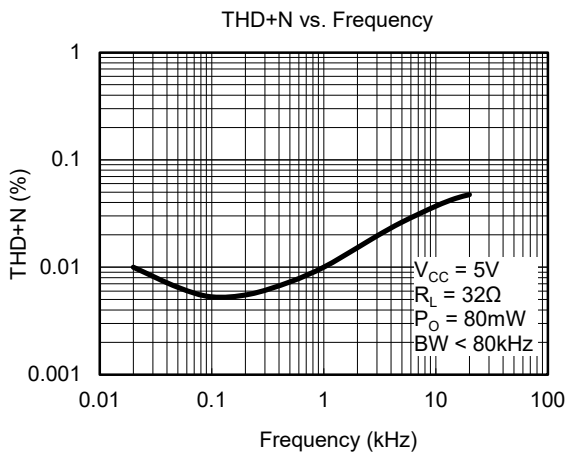
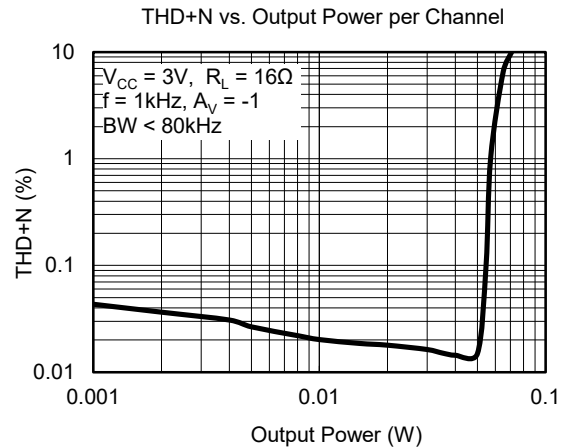
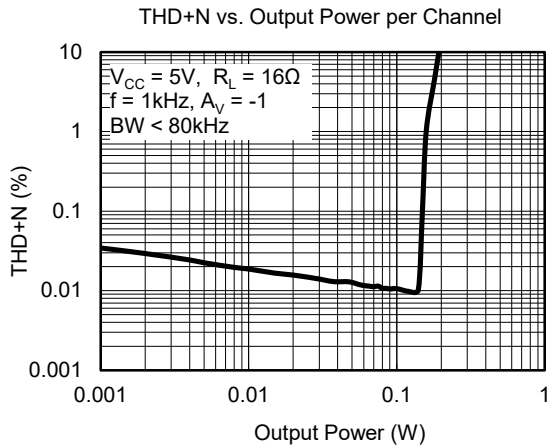
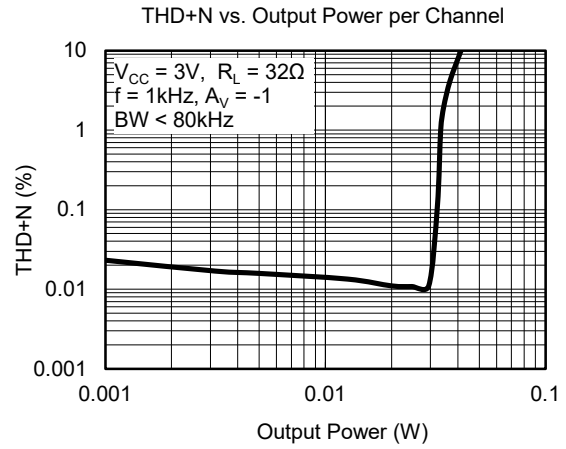
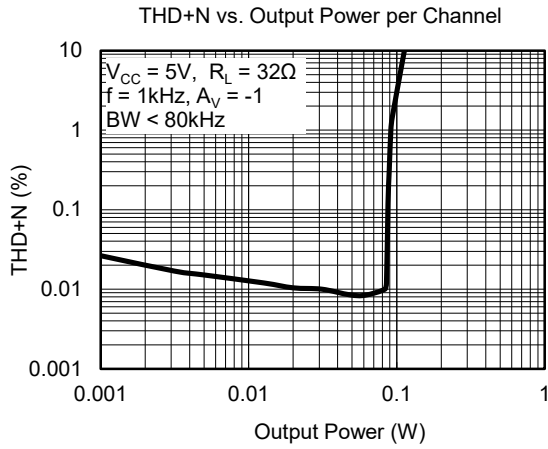
SG Micro Corp reserves the right to make any change in circuit design, or specifications without prior notice.

ELECTRICAL CHARACTERISTICS

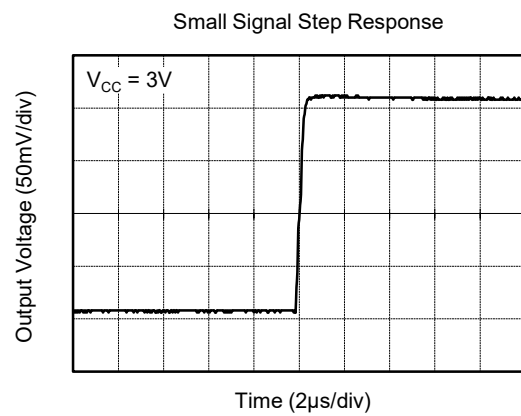
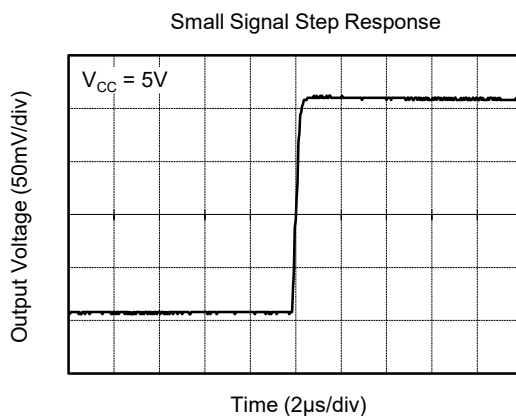
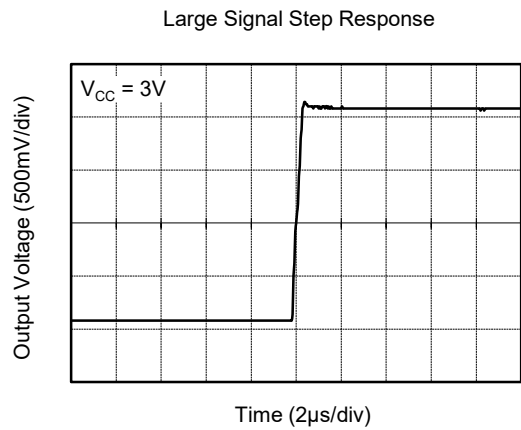
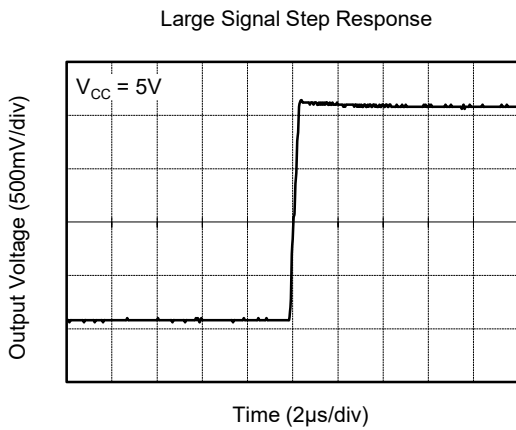
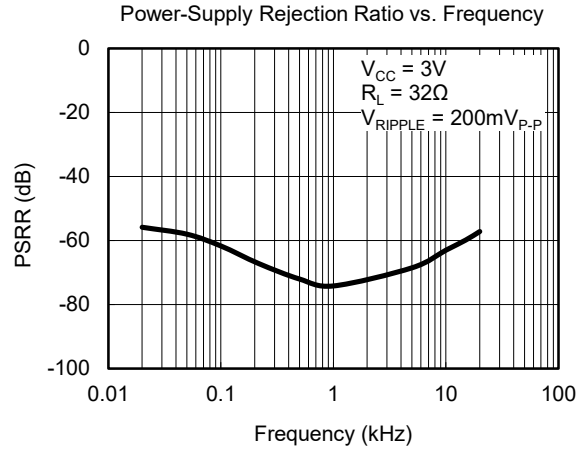
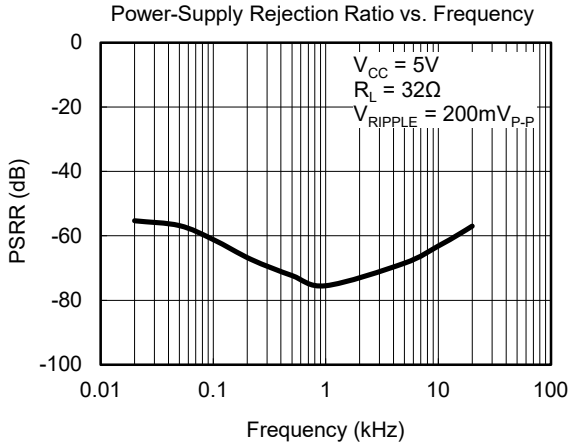
(T_A = +25°C, unless otherwise noted.)

PARAMETER	SYMBOL	CONDITIONS		MIN	TYP	MAX	UNITS
				2.5		5.5	V
Shutdown Current	I _{SD}	V _{IN} = 0V, V _{SHDN} = GND, V _{CC} = 5.0V			0.02	4	μA
		V _{IN} = 0V, V _{SHDN} = GND, V _{CC} = 3.3V			0.02		
		V _{IN} = 0V, V _{SHDN} = GND, V _{CC} = 2.6V			0.02		
Output Offset Voltage	V _{OS}	V _{IN} = 0V, V _{SHDN} = V _{CC} = 5.0V		-50	2.5	50	mV
		V _{IN} = 0V, V _{SHDN} = V _{CC} = 3.3V			2.5		
		V _{IN} = 0V, V _{SHDN} = V _{CC} = 2.6V			2.5		
Quiescent Power Supply Current	I _Q	V _{IN} = 0V, V _{SHDN} = V _{CC}	V _{CC} = 5.0V, No Load		1.65	2.8	mA
			V _{CC} = 3.3V, No Load		1.50		
			V _{CC} = 2.6V, No Load		1.40		
Shutdown Voltage Input High	V _{SDIH}			1.2			V
Shutdown Voltage Input Low	V _{SDIL}					0.4	V
Output Power (per Channel)	P _O	f = 1kHz THD+N = 0.1%	V _{CC} = 5.0V	R _L = 16Ω		145	mW
				R _L = 32Ω		85	
			V _{CC} = 3.6V	R _L = 16Ω		78	
				R _L = 32Ω		44	
			V _{CC} = 3.0V	R _L = 16Ω		54	
				R _L = 32Ω		31	
			V _{CC} = 2.6V	R _L = 16Ω		40	
				R _L = 32Ω		23	
Total Harmonic Distortion + Noise	THD+N	P _O = 78mW, V _{CC} = 5.0V, R _L = 32Ω, f = 20Hz to 20kHz			0.1		%
Crosstalk	X _{talk}	R _L = 32Ω, P _O = 70mW, V _{CC} = 5V, f = 1kHz			-85		dB
Power Supply Rejection Ratio	PSRR	f = 217Hz, C _B = 1μF, R _L = 32Ω V _{RIPPLE} = 200mVp-p, Input Grounded with 10Ω	V _{CC} = 5.0V		-67	dB	
			V _{CC} = 3.6V		-67		
			V _{CC} = 3.0V		-65		
			V _{CC} = 2.6V		-64		
		f = 1kHz, C _B = 1μF, R _L = 32Ω V _{RIPPLE} = 200mVp-p, Input Grounded with 10Ω	V _{CC} = 5.0V		-75		
			V _{CC} = 3.6V		-75		
			V _{CC} = 3.0V		-74		
			V _{CC} = 2.6V		-65		

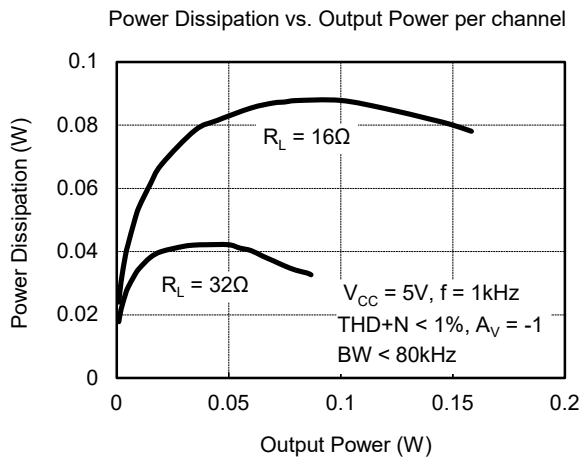
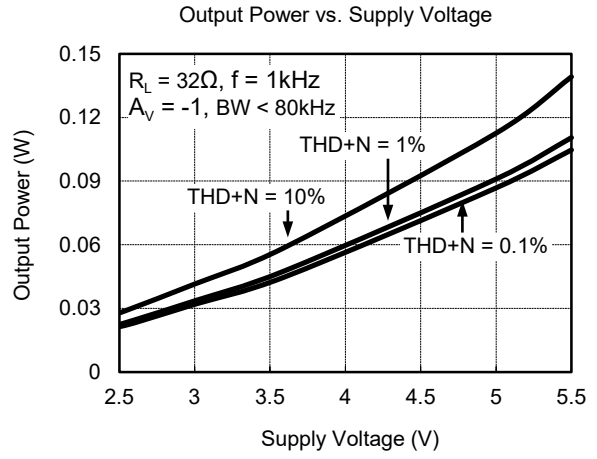
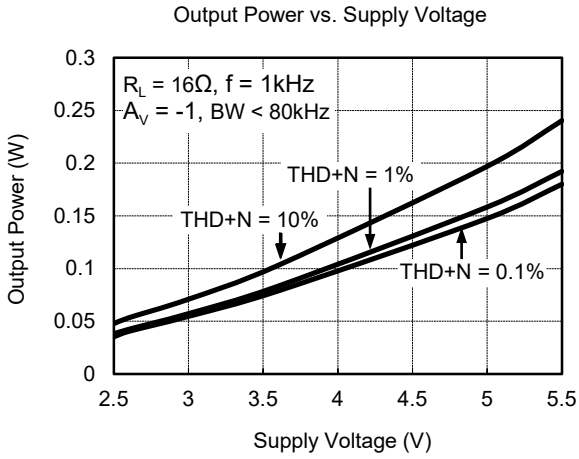
TYPICAL PERFORMANCE CHARACTERISTICS



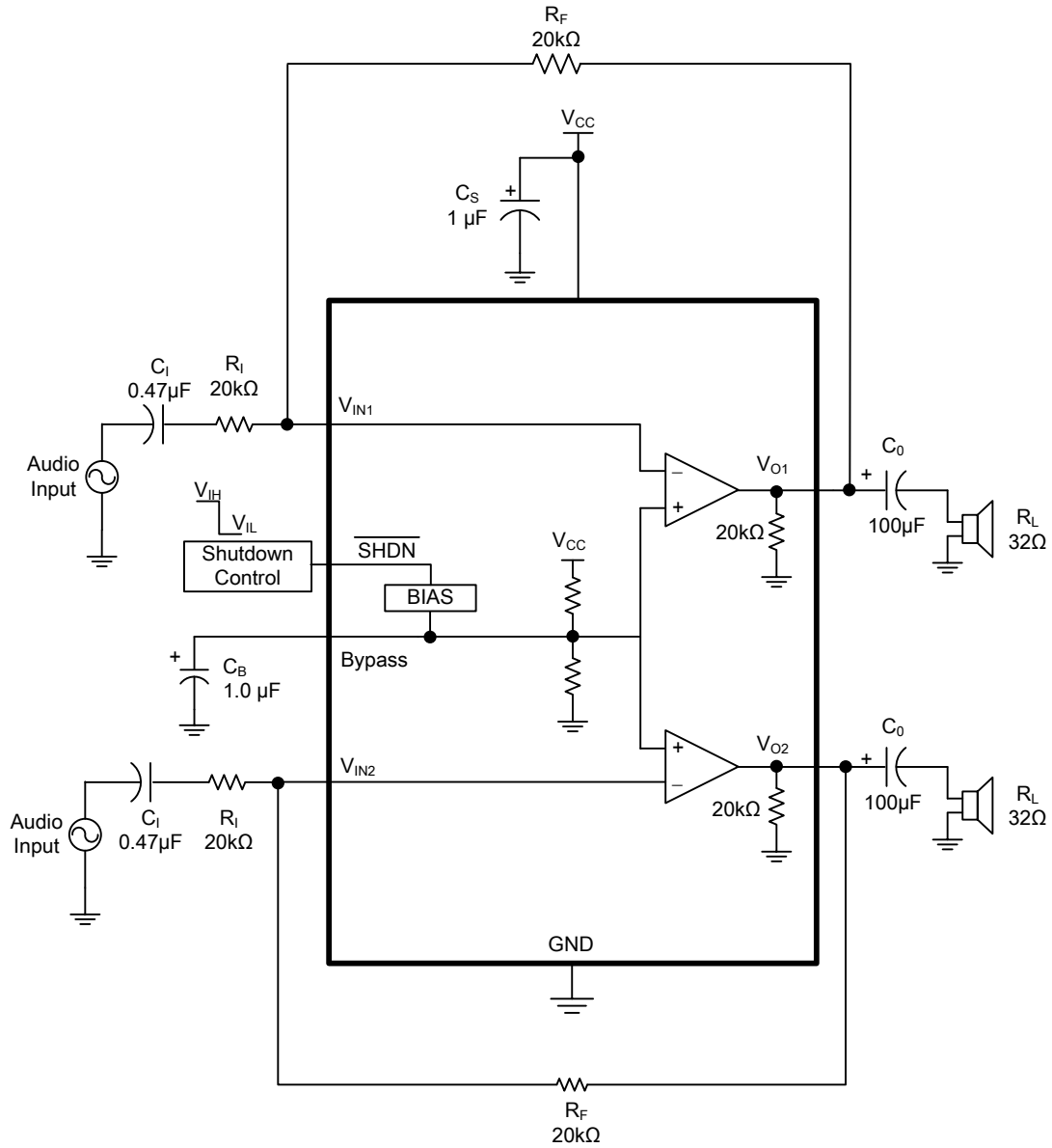
TYPICAL PERFORMANCE CHARACTERISTICS (continued)



TYPICAL PERFORMANCE CHARACTERISTICS (continued)



TYPICAL APPLICATION



REVISION HISTORY

NOTE: Page numbers for previous revisions may differ from page numbers in the current version.

MAY 2011 – REV.A to REV.A.1

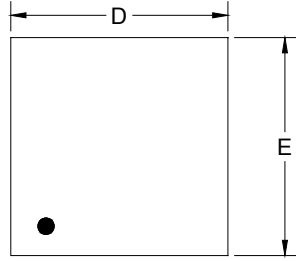
Updated package name.....All

Changes from Original (MARCH 2010) to REV.A

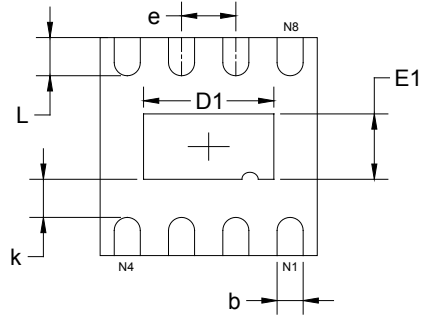
Changed from product preview to production data.....All

PACKAGE OUTLINE DIMENSIONS

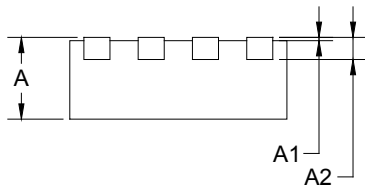
TDFN-2x2-8L



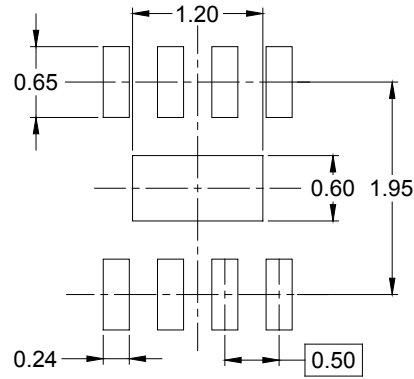
TOP VIEW



BOTTOM VIEW



SIDE VIEW



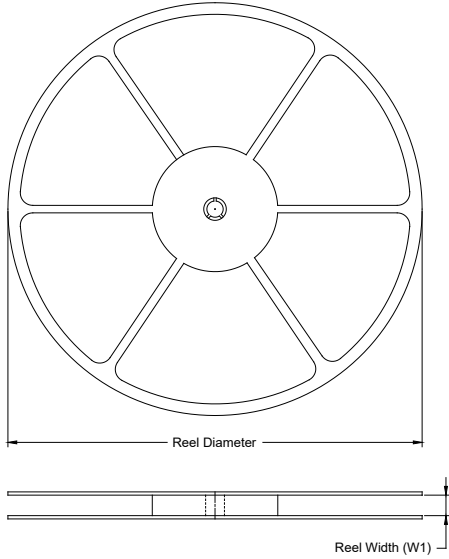
RECOMMENDED LAND PATTERN (Unit: mm)

Symbol	Dimensions In Millimeters		Dimensions In Inches	
	MIN	MAX	MIN	MAX
A	0.700	0.800	0.028	0.031
A1	0.000	0.050	0.000	0.002
A2	0.203 REF		0.008 REF	
D	1.900	2.100	0.075	0.083
D1	1.100	1.300	0.043	0.051
E	1.900	2.100	0.075	0.083
E1	0.500	0.700	0.020	0.028
k	0.200 MIN		0.008 MIN	
b	0.180	0.300	0.007	0.012
e	0.500 TYP		0.020 TYP	
L	0.250	0.450	0.010	0.018

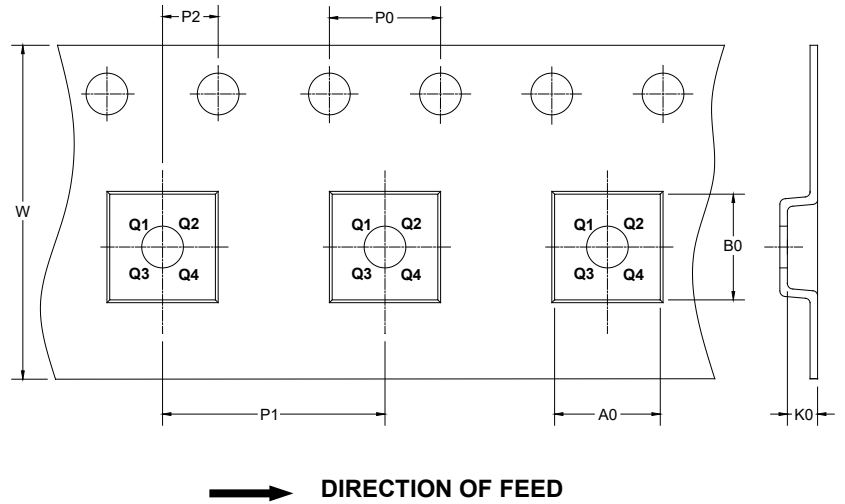
PACKAGE INFORMATION

TAPE AND REEL INFORMATION

REEL DIMENSIONS



TAPE DIMENSIONS



NOTE: The picture is only for reference. Please make the object as the standard.

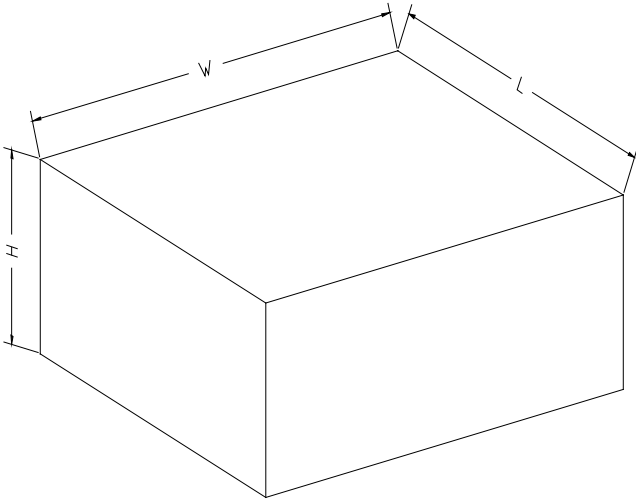
KEY PARAMETER LIST OF TAPE AND REEL

Package Type	Reel Diameter	Reel Width W1 (mm)	A0 (mm)	B0 (mm)	K0 (mm)	P0 (mm)	P1 (mm)	P2 (mm)	W (mm)	Pin1 Quadrant
TDFN-2×2-8L	7"	9.5	2.30	2.30	1.10	4.0	4.0	2.0	8.0	Q1

000001

PACKAGE INFORMATION

CARTON BOX DIMENSIONS



NOTE: The picture is only for reference. Please make the object as the standard.

KEY PARAMETER LIST OF CARTON BOX

Reel Type	Length (mm)	Width (mm)	Height (mm)	Pizza/Carton
7" (Option)	368	227	224	8
7"	442	410	224	18

DD0002